

78-0L

https://tcmo-pro.ru

https://tcmo-pro.ru

https://tcmo-pro.ru

https://tcmo-pro.ru

https://tcmo-pro.ru

https://tcmo-pro.ru

https://tcmo-pro.ru

https://tcmo-pro.ru

https://tcmo-pro.ru

https://tcmo-pro.ru

https://tcmo-pro.ru

https://tcmo-pro.ru

https://tcmo-pro.ru

https://tcmo-pro.ru

https://tcmo-pro.ru

https://tcmo-pro.ru

https://tcmo-pro.ru

https://tcmo-pro.ru

https://tcmo-pro.ru

https://tcmo-pro.ru

https://tcmo-pro.ru

https://tcmo-pro.ru

https://tcmo-pro.ru

https://tcmo-pro.ru

https://tcmo-pro.ru

https://tcmo-pro.ru

https://tcmo-pro.ru

https://tcmo-pro.ru

https://tcmo-pro.ru

https://tcmo-pro.ru

https://tcmo-pro.ru

https://tcmo-pro.ru

https://tcmo-pro.ru

https://tcmo-pro.ru

https://tcmo-pro.ru

https://tcmo-pro.ru

https://tcmo-pro.ru

https://tcmo-pro.ru

https://tcmo-pro.ru

https://tcmo-pro.ru

https://tcmo-pro.ru

https://tcmo-pro.ru

https://tcmo-pro.ru

https://tcmo-pro.ru

https://tcmo-pro.ru

https://tcmo-pro.ru

https://tcmo-pro.ru

https://tcmo-pro.ru

https://tcmo-pro.ru

https://tcmo-pro.ru

https://tcmo-pro.ru

https://tcmo-pro.ru

https://tcmo-pro.ru

https://tcmo-pro.ru

https://tcmo-pro.ru

https://tcmo-pro.ru

https://tcmo-pro.ru

https://tcmo-pro.ru

https://tcmo-pro.ru

https://tcmo-pro.ru

https://tcmo-pro.ru

https://tcmo-pro.ru

https://tcmo-pro.ru

https://tcmo-pro.ru

https://tcmo-pro.ru

https://tcmo-pro.ru

https://tcmo-pro.ru

https://tcmo-pro.ru

https://tcmo-pro.ru

https://tcmo-pro.ru

https://tcmo-pro.ru

https://tcmo-pro.ru

https://tcmo-pro.ru

https://tcmo-pro.ru

https://tcmo-pro.ru

https://tcmo-pro.ru

https://tcmo-pro.ru

https://tcmo-pro.ru

https://tcmo-pro.ru

https://tcmo-pro.ru

https://tcmo-pro.ru

https://tcmo-pro.ru

https://tcmo-pro.ru

https://tcmo-pro.ru

https://tcmo-pro.ru

https://tcmo-pro.ru

https://tcmo-pro.ru

https://tcmo-pro.ru

https://tcmo-pro.ru

https://tcmo-pro.ru

https://tcmo-pro.ru

https://tcmo-pro.ru

https://tcmo-pro.ru

https://tcmo-pro.ru

https://tcmo-pro.ru

https://tcmo-pro.ru

https://tcmo-pro.ru

https://tcmo-pro.ru

https://tcmo-pro.ru

https://tcmo-pro.ru

https://tcmo-pro.ru

https://tcmo-pro.ru

https://tcmo-pro.ru

https://tcmo-pro.ru

https://tcmo-pro.ru

https://tcmo-pro.ru

https://tcmo-pro.ru

https://tcmo-pro.ru

https://tcmo-pro.ru

https://tcmo-pro.ru

https://tcmo-pro.ru

https://tcmo-pro.ru

https://tcmo-pro.ru

https://tcmo-pro.ru

https://tcmo-pro.ru

https://tcmo-pro.ru

https://tcmo-pro.ru

https://tcmo-pro.ru

https://tcmo-pro.ru

https://tcmo-pro.ru

https://tcmo-pro.ru

https://tcmo-pro.ru

https://tcmo-pro.ru

https://tcmo-pro.ru

https://tcmo-pro.ru

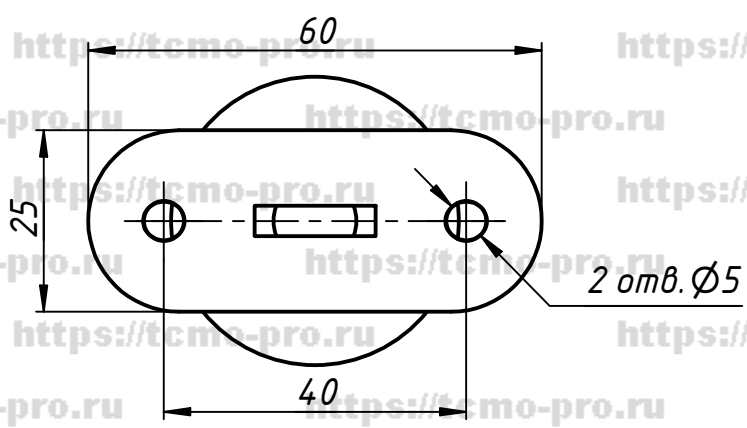
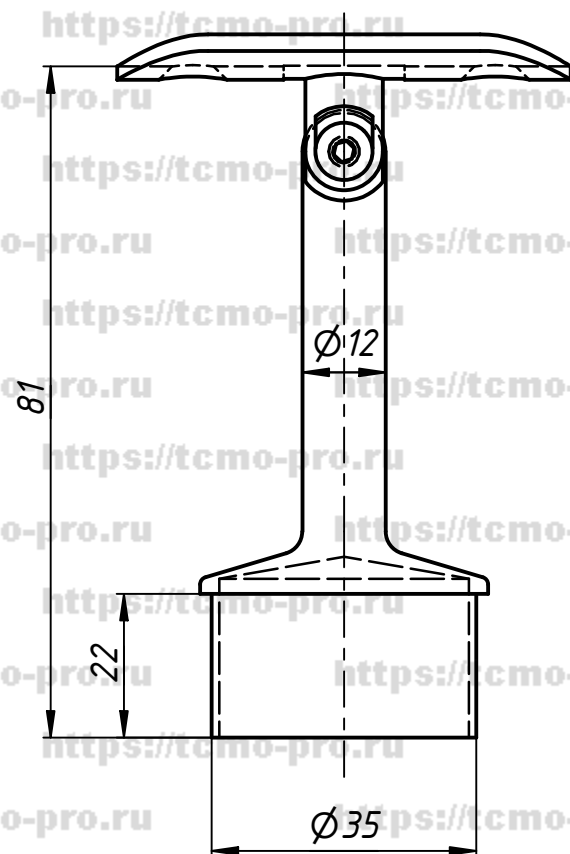
https://tcmo-pro.ru

https://tcmo-pro.ru

https://tcmo-pro.ru

https://tcmo-pro.ru

https://tcmo-pro.ru



Перв. примен.
Справ. №
A
Подп. и дата
Инв. № дубл.
Взам. инв. №
Подп. и дата
Инв. № подл.

Изм.	Лист	№ докум.	Подп.	Дата
Разраб.	user			12.03.2019
Пров.				
Т. контр.				
Нач.отд.				
Н. контр.				
Утв.				

70-84					
Держатель поручня Ø 50.8			Лит.	Масса	Масштаб
для стойки Ø 38.1					
нерегулируемый			Лист	Листов	1